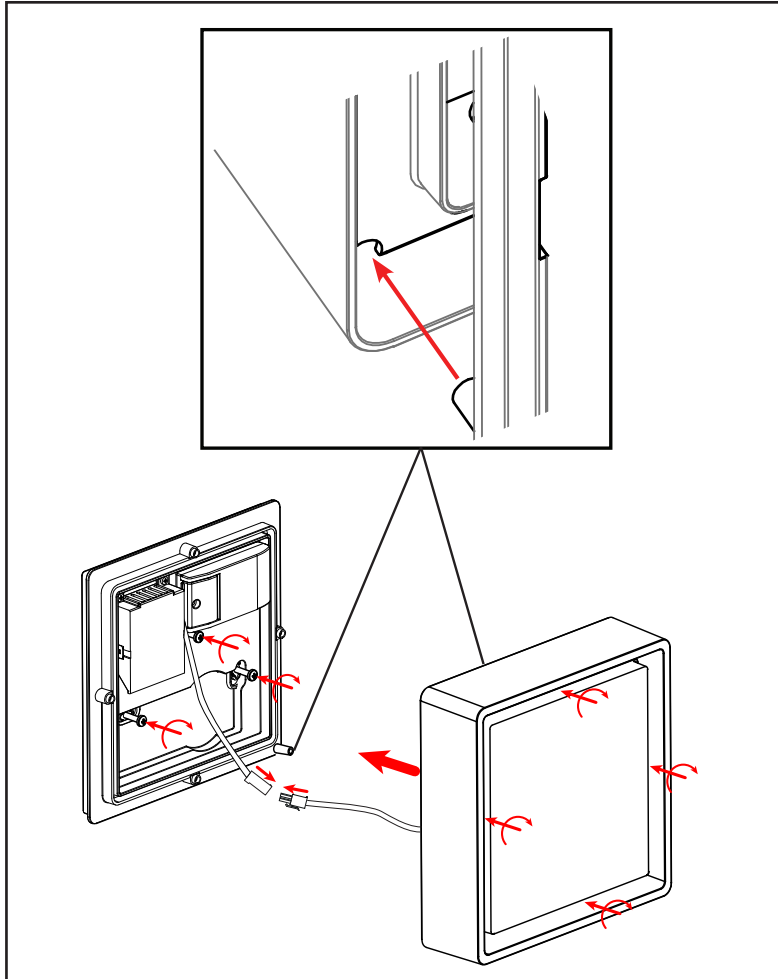


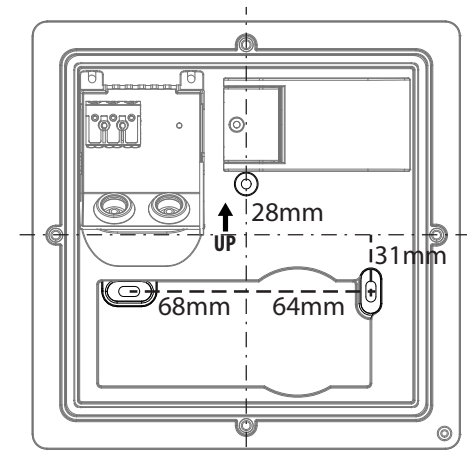
Frame Square / Wall Frame Square Maxi



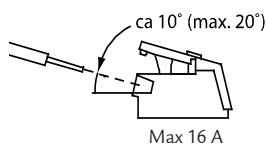
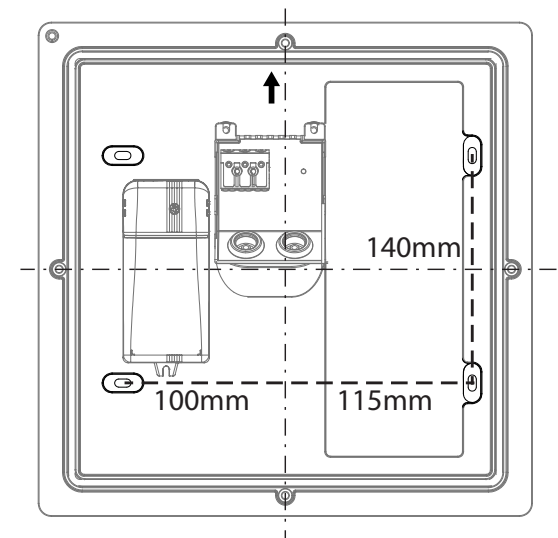
220-240V, 50/60Hz



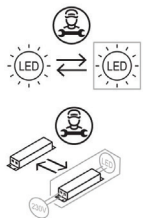
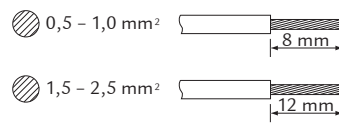
Frame Square /Wall



Frame Square Maxi



Max 16 A



NO: Skru av strømmen før montering.
DK: Sluk for strømmen inden montering.
SE: Stång av strømmen innan montering.
EN: Turn off power before installing.
FR: Couper le courant avant l'installation.
NL: Stroom uitschakelen voor u het toestel installeert.
DE: Vor Installationsarbeiten den Strom abschalten.
FI: Sammuta virta ennen kytkemistä

NO: Kan kun installeres og vedlikeholdes av en registrert installasjonsvirksomhet.
DK: Må kun installeres og vedlikeholdes af uddannet elektriker.
SE: Skall installeras och underhållas av behörig elektriker.
EN: Only to be installed and maintained by an authorized electrician.
FR: Doit être installé et maintenu par un électricien qualifié.
NL: Mag alleen geïnstalleerd en onderhouden worden door een bevoegde electricien.
DE: Dieses Produkt darf nur durch autorisiertes Personal (z.B. Elektro-Installateur) angeschlossen, in Betrieb genommen und gewartet werden.
FI: Asentaa ja huoltaa saa vain valtuutettu sähköasentaja

NORWAY

SG Armaturen AS

Skytterheia 25
N-4790 Lillesand

Tel: +47 37 50 03 00
firmapost@sg-as.no
www.sg-as.no

SWEDEN

SG Armaturen AB
Tel: +46 31 81 71 10
info@sg-ab.se
www.sg-ab.se

FINLAND

SG Armaturen Oy
Tel: +358 02 07 30 39 60
info@sg-oy.fi
www.sg-oy.fi

DENMARK

SG Armaturen A/S
Tel: +45 70 70 72 13
info@sg-as.dk
www.sg-as.dk

UNITED KINGDOM

SG Lighting LTD
Tel: +47 37 50 03 00
info@sglighting.co.uk
www.sglighting.co.uk

FRANCE

SG Lighting SA/NV
Tel: +33(0) 4 94 93 00 00
info.france@sglighting.fr
www.sglighting.net

BENELUX

SG Lighting SA/NV
Tel: +32(0) 15 20 72 71
info.benelux@sglighting.net
www.sglighting.net

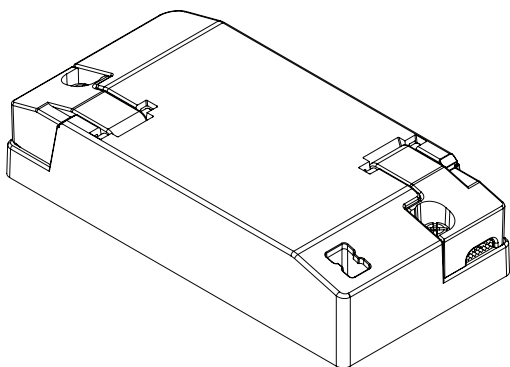
GERMANY

SG Leuchten GmbH
Tel: +49 40 23 99 44 59
info@sg-leuchten.de
www.sg-leuchten.de

INTERNATIONAL

SG Lighting Co Ltd.
Tel: +86 769 88 49 20 88
cindy@sgdgc.com
www.sg-as.com

Dipswitch

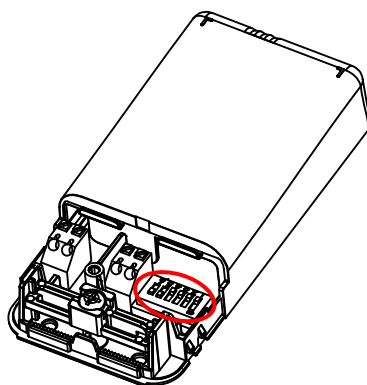
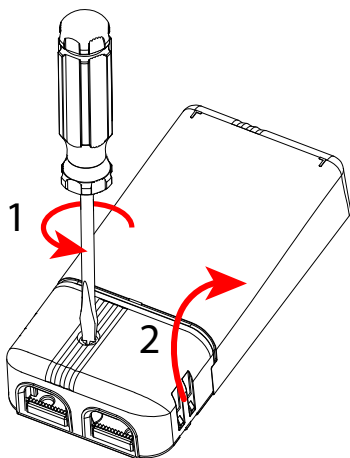


Standard



Frame Square /Wall

mA	200	250	300	350	400	450
Im	100%	125%	-	-	-	-



Frame Square Maxi

mA	250	300	350	400	450	500	550
Im	45%	55%	64%	73%	82%	90%	100%



mA	600-900	12/24/28V
-----------	---------	-----------

Basic Motion and daylight sensor

Slave Slave Max 200VA

Sensor Sensor

NO: Max antall armaturer er begrenset av sikringen
 DK: Det maksimale antal armaturer er begrænset af afbryderen
 SE: Max antal armaturer begränsas av säkringen.
 EN: Max number of fixtures is limited by the circuit breaker
 FR: Le nombre maximum de montages est limité par le disjoncteur
 NL: Max. aantal armaturen beperkt door de stroomonderbreker
 DE: Die maximale Anzahl der Geräte ist abhängig vom eingesetzten Leitungsschutzschalter
 FI: Valaisinten maksimimäärä määrätty sulakkeen koon mukaan

min. 3m

Push

No Push

✓	Hold time		1	2
		10 minutes	1	1
		5 minutes	0	1
		1 minute	1	0
		5 seconds	0	0

📡	Motion sensitivity		3	4
		High	1	1
		Medium	0	1
		Low	1	0
		Off	0	0

☀️	Daylight sensitivity		5	6
		Low	1	1
		Medium	0	1
		High	1	0
		Off	0	0

Hold time

✓

	1	2
10 min	1	1
5 min	0	1
1 min	1	0
5 sec	0	0

NORWAY
SG Armaturen AS

Skytterheia 25
N-4790 Lillesand

Tel: +47 37 50 03 00
firmapost@sg-as.no
www.sg-as.no

SWEDEN

SG Armaturen AB
Tel: +46 31 81 71 10
info@sg-ab.se
www.sg-ab.se

FINLAND

SG Armaturen Oy
info@sg-oy.fi
www.sg-oy.fi

DENMARK

SG Armaturen A/S
Tel: +45 70 70 72 13
info@sg-as.dk
www.sg-as.dk

UNITED KINGDOM

SG Lighting LTD
Tel: +47 37 50 03 00
info@sglighting.co.uk
www.sglighting.co.uk

FRANCE

SG Lighting SA/NV
Tel: +33(0) 4 94 93 00 00
info.france@sglighting.fr
www.sglighting.net

BENELUX

SG Lighting SA/NV
Tel: +32(0) 15 20 72 71
info.benelux@sglighting.net
www.sglighting.net

GERMANY

SG Leuchten GmbH
Tel: +49 40 23 99 44 59
info@sg-leuchten.de
www.sg-leuchten.de

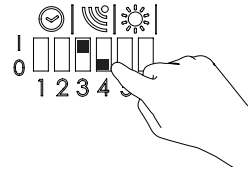
INTERNATIONAL

SG Lighting Co Ltd.
Tel: +86 769 88 49 20 82
cindy@sgdgc.com
www.sg-as.com

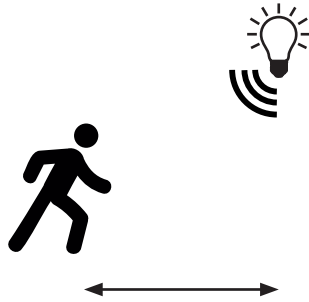
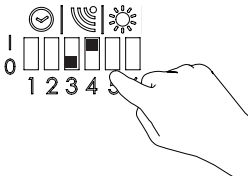
Motion sensitivity

	3	4
High	1	1
Medium	0	1
Low	1	0
Off	0	0

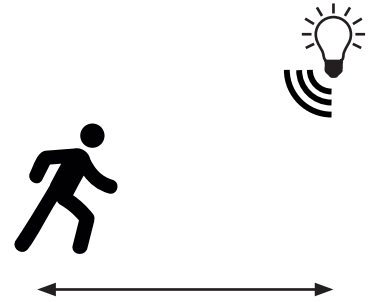
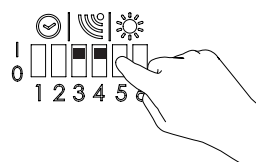
1



2



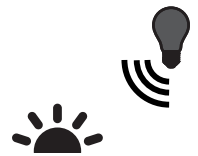
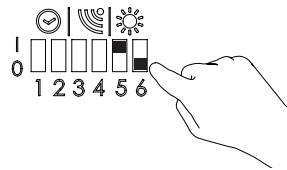
3



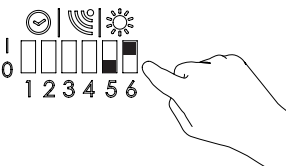
Daylight sensitivity

	5	6
Low	1	1
Medium	0	1
High	1	0
Off	0	0

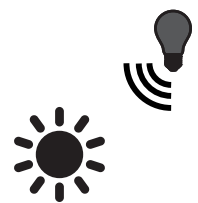
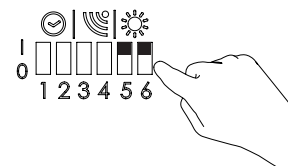
1



2



3



Sensor Wireless

HC028V/RF + HC023RF



230V, 50Hz

Switched power		400W
Microwave frequency		5.8GHz+/-75MHz
Microwave power		<0.2mW
RF frequency		433/868/315/915 MHz

Max 9m
Max 4m

Max 6m
Max 12m

HC028V/RF
Sensor
Tx →
Rx ←

HC023RF
Slave
Rx ←

Corridor

Master Slave
< 30m

< 100m

	1	2	
I	●	●	100%
II	●	○	75%
III	○	●	50%
IV	○	○	10%

	1	2	3	
I	●	●	●	5s
II	●	●	○	30s
III	●	○	●	1min
IV	●	○	○	5min
V	○	●	●	10min
VI	○	●	○	20min
VII	○	○	○	30min

	1	2	
I	●	●	Disable
II	●	○	50Lux
III	○	●	10Lux
IV	○	○	2Lux

	1	2	3	
I	●	●	●	0s
II	●	●	○	10s
III	●	○	●	1min
IV	●	○	○	5min
V	○	●	●	10min
VI	○	●	○	30min
VII	○	○	●	1H
VIII	○	○	○	+∞

	1	2	
I	●	●	10%
II	●	○	20%
III	○	●	30%
IV	○	○	50%

CORPORATE OFFICE: SG Armaturen AS Svåbekk 15 4790 Lillesand NORGE Tlf:+47 37 50 03 00 firmapost@sg-as.no www.sg-as.no	BRANCH OFFICE: SG Lighting SA/NV Blokhuisstraat 47 2800 Mechelen Noord I BELGIQUE/BELGIË Tlf:+32(0) 15 20 72 71 info.benelux@sglighting.net www.sglighting.net	BRANCH OFFICE: SG Armaturen A/S Egebakken 19 7400 Herning DANMARK Tlf:+45 70 70 72 13 info@sg-as.dk www.sg-as.dk	BRANCH OFFICE: SG Lighting SA/NV 73 rue de Saint Mandrier 83140 Six Fours Les Plages FRANCE Tlf:+33(0) 4 94 93 00 00 info.france@sglighting.fr www.sglighting.net	BRANCH OFFICE: SG Leuchten GmbH Nordstrasse 53 59399 Olfen GERMANY Tlf:+49 2595 3870 725 info@sg-leuchten.de www.sg-leuchten.de	BRANCH OFFICE: SG Armaturen AB August Barksg. 30B 421 32 Västra Frölunda SVERIGE Tlf:+46 31 81 71 10 info@sg-ab.se www.sg-ab.se
--	--	--	---	---	---